

Cast Iron Surrounds and Double Doors

for the
Jøtul GI 350 DV Little Diamond
and
Jøtul GI 550 DV Great Diamond
Gas Fireplace Inserts

Kit Contents:

- Cast Iron Surround Assembly
- Wide Surround Assembly (included with Jøtul GI 350 / Optional with Jøtul GI 550)

Tools Required to remove unnecessary parts:

- 1/4 in. socket driver or wrench
- 7 mm socket driver or wrench

Before beginning the installation, read these instructions to familiarize yourself with the parts and procedures.

Plinth Trim

A plinth trim panel is incorporated into the Cast Iron Surround. If you choose not to use it, the panel can be removed simply by bending the panel back and forth to snap it off of the surround backing plate. The trim panel can be reattached if necessary with use of the removable brackets that are incorporated into the backing plate. Use eight #8 x 1/4" sheet metal screws. See fig. 1.

Wide Surround

The steel Wide Surround panel is furnished with side extension feet for use if you are using the cast iron Plinth trim panel. If you are not installing the Plinth panel, use a 7 mm wrench or socket driver to remove the side extensions. See fig 2.

Rating Plate Location

The Lighting Instructions / Rating Plate is tethered to the Valve & Burner controls compartment on the left side of the fireplace insert. **Before installing the surround panels, relocate the rating plate underneath the firebox floor where it will be readily accessible after the cast iron surround is hung in place.**

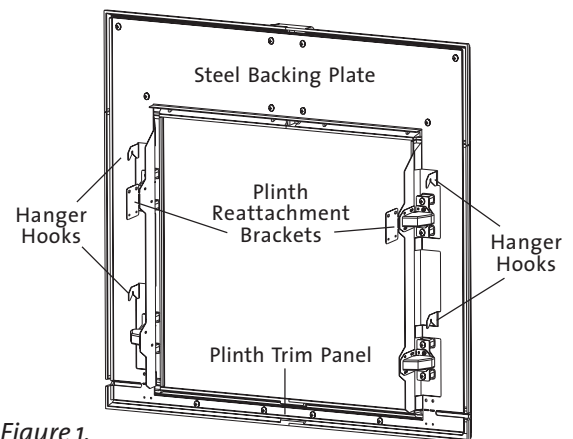


Figure 1.
Cast Iron Surround parts.

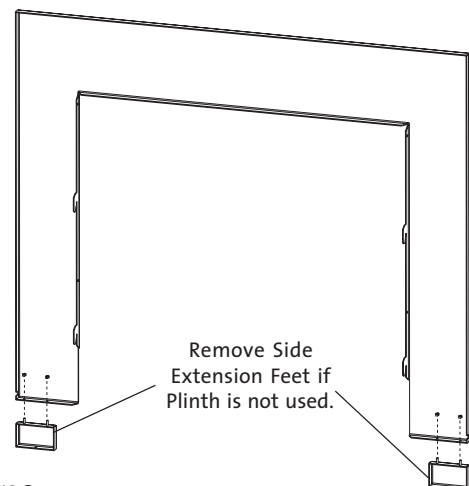


Figure 2.
Steel Wide Surround parts - GI 550 version shown.



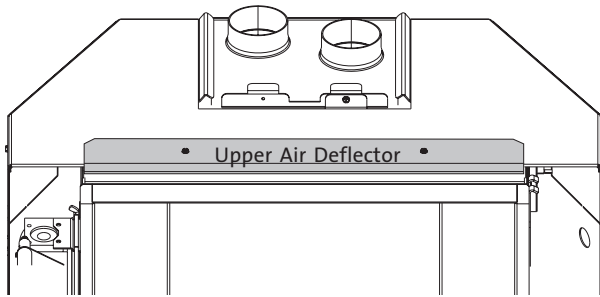


Figure 3. Remove Upper Air Deflector.

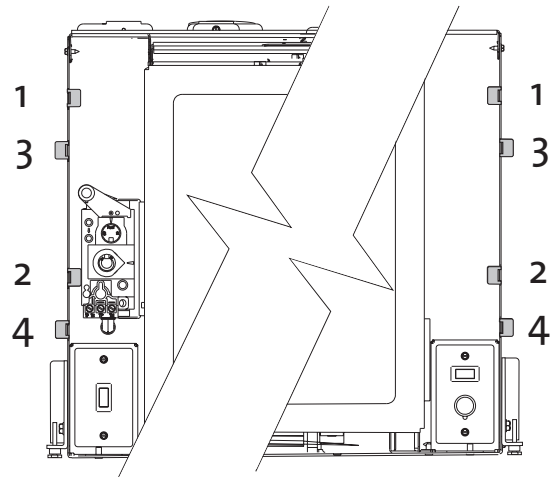
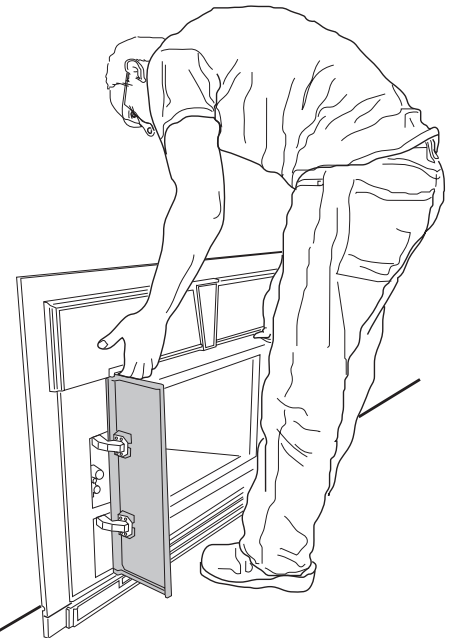


Figure 4. Bend tabs #3 and #4 outboard for Wide Surround.

Installation

1. Be certain the blower power cord is routed to the front of the insert and pull the insert two or three inches proud of the fireplace face.
2. Use the 1/4" wrench or socket driver to remove the upper air deflector. The deflector will not be used with the cast iron surround. See fig. 3.
3. If you are using one, install the Wide Surround first.
 - Use 7 mm socket driver to remove the side extensions if Plinth trim will not be used.
 - Bend tabs #3 and #4 outboard of the cabinet as shown in fig. 4.
 - Hang the surround panel by engaging the hooked brackets with the outboard tabs #3 and #4.
4. Install the Cast Iron Surround.
 - Open both side access panels to enable you to see the hooked brackets and align them with the inboard surround tabs #1 and #2.
 - Lift the cast iron surround assembly by the upper panel to engage the hooks as shown in fig. 5.
5. Install the Cathedral Arch doors if appropriate by engaging the support hooks over the top of the insert glass frame as shown in fig. 6.



Open the side door panels to help align the brackets.

Figure 5. Engage the hooks with the inboard tabs #1 and #2, in fig. 4.

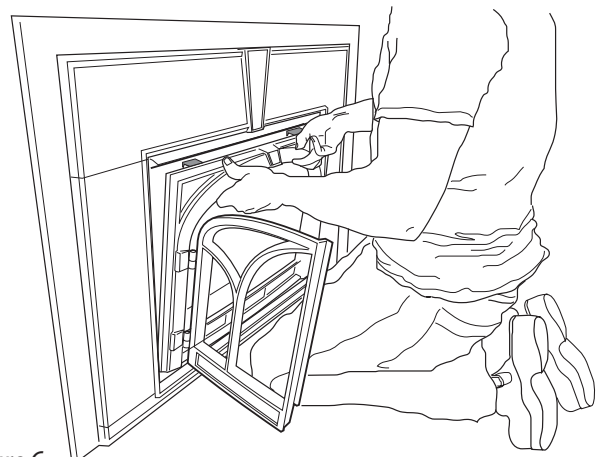


Figure 6. Engage door set with the glass frame.

BE SURE TO MAINTAIN CLEARANCE TO COMBUSTIBLE MATERIALS AS SPECIFIED IN THE INSTALLATION AND OPERATION MANUAL.